

BLOWDOWN EXPANSION AND COOLING UNIT BEX

DESCRIPTION AND OPERATION

The ADCA BEX series blowdown expansion and cooling units are used in modern boiler houses to cool hot waste water and steam boiler blowdown before discharging them into a pit or drain. The waste water is discharged into the unit, which is at atmospheric pressure, and the cooling water enters through a control valve controlled by a thermostat, mixing it with the hot water.

If flash steam can not be recovered or discharged to atmosphere, an additional condensing water spray system (optional) can be supplied. It is fitted into the top of the unit and can be controlled directly, either by another thermostat, or by the same command used for the automatic blowdown valve control.

MAIN FEATURES

- Prevents thermal pollution.
- Overflow with siphon breaker.
- Easy to install.
- Reduces the flow of flash steam.



- OPTIONS:**
- Stainless steel construction.
 - Complete system including all the necessary equipment (stop and check valves, thermostats, exhaust head, etc).
 - Manifold with several inlets for multi-boiler installations.
 - Manhole or handhole for inspection.

USE: Boiler blowdown and hot waste water.

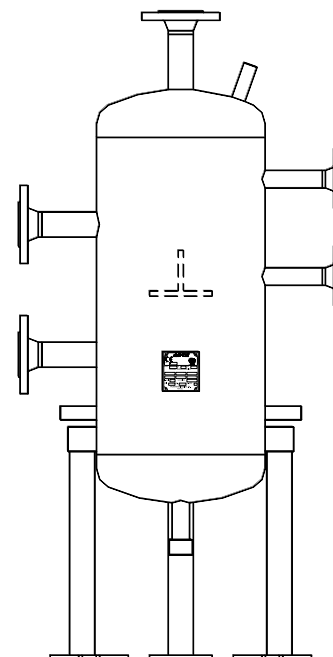
AVAILABLE

MODELS: BEX30, 40, 50, 60 and 80.

CONNECTIONS: Female screwed.
Flanged EN 1092-1 or ANSI.
Different connections on request.

CONSTRUCTION: Carbon steel or stainless steel under request.

INSTALLATION: Vertical installation.
Final dimensions and connections according to the supplied drawing.
The inlet of the blowdown tank is always higher than the boiler discharge valves. Therefore, the connecting pipe should have provisions made at a low point to drain the boiler.



CE MARKING – GROUP 2 (PED – European Directive)

Size	Category
All sizes	SEP

DIMENSIONS (mm)

MODEL	A	B	d1	d2	d3	d4	d5 *	d6	d7	d8	VOL. (L)	STW (L) **	WGT. (kg) ***
BEX30	1245	312	40	40	40	25	25	G1"	G1/2"	G1"	66,6	18	69
BEX40	1275	355	50	50	50	25	25	G1"	G1/2"	G1"	111,7	29	100
BEX50	1430	455	80	50	80	25	25	G1"	G1/2"	G1"	251	71	130
BEX60	1930	455	100	65	100	25	25	G1"	G1/2"	G1"	372	121	180
BEX80	2260	550	150	100	150	40	40	G1 1/2"	G1/2"	G1"	883,5	233	367

* Optional; ** Standing water; *** Weight to be confirmed.

SELECTION TABLE

Hot water flow rates (kg/h)	300	600	1500	3000	5000
Model	BEX30	BEX40	BEX50	BEX60	BEX80

CONNECTIONS

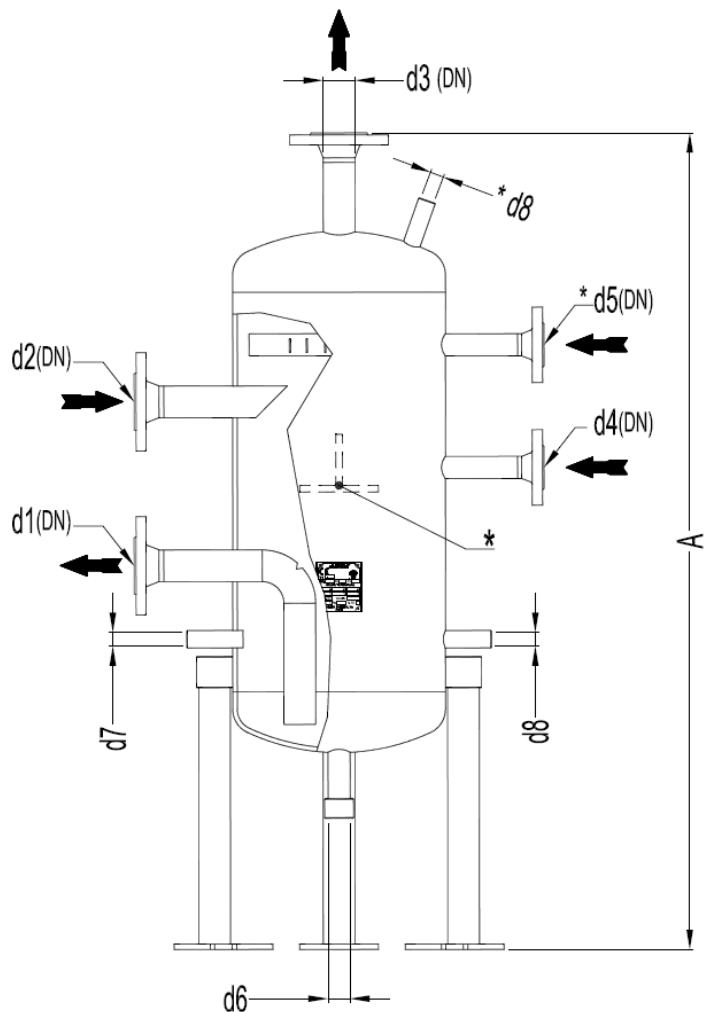
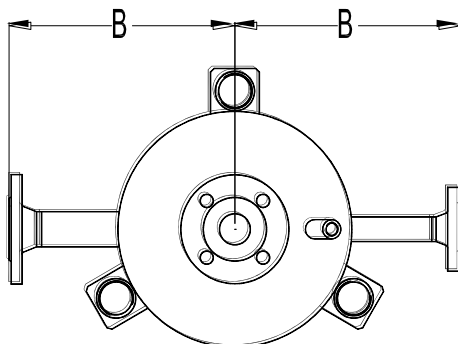
POS. N°	DESIGNATION	RATING
d1	Drain outlet	PN16
d2	Blowdown outlet	PN16
d3	Venting outlet	PN16
d4	Cooling water inlet	PN16
d5	Flash steam cooling water	PN16
d6	Drain	PN16
d7	Thermometer connection	PN16
d8	Thermostat connection	PN16

LIMITING CONDITIONS

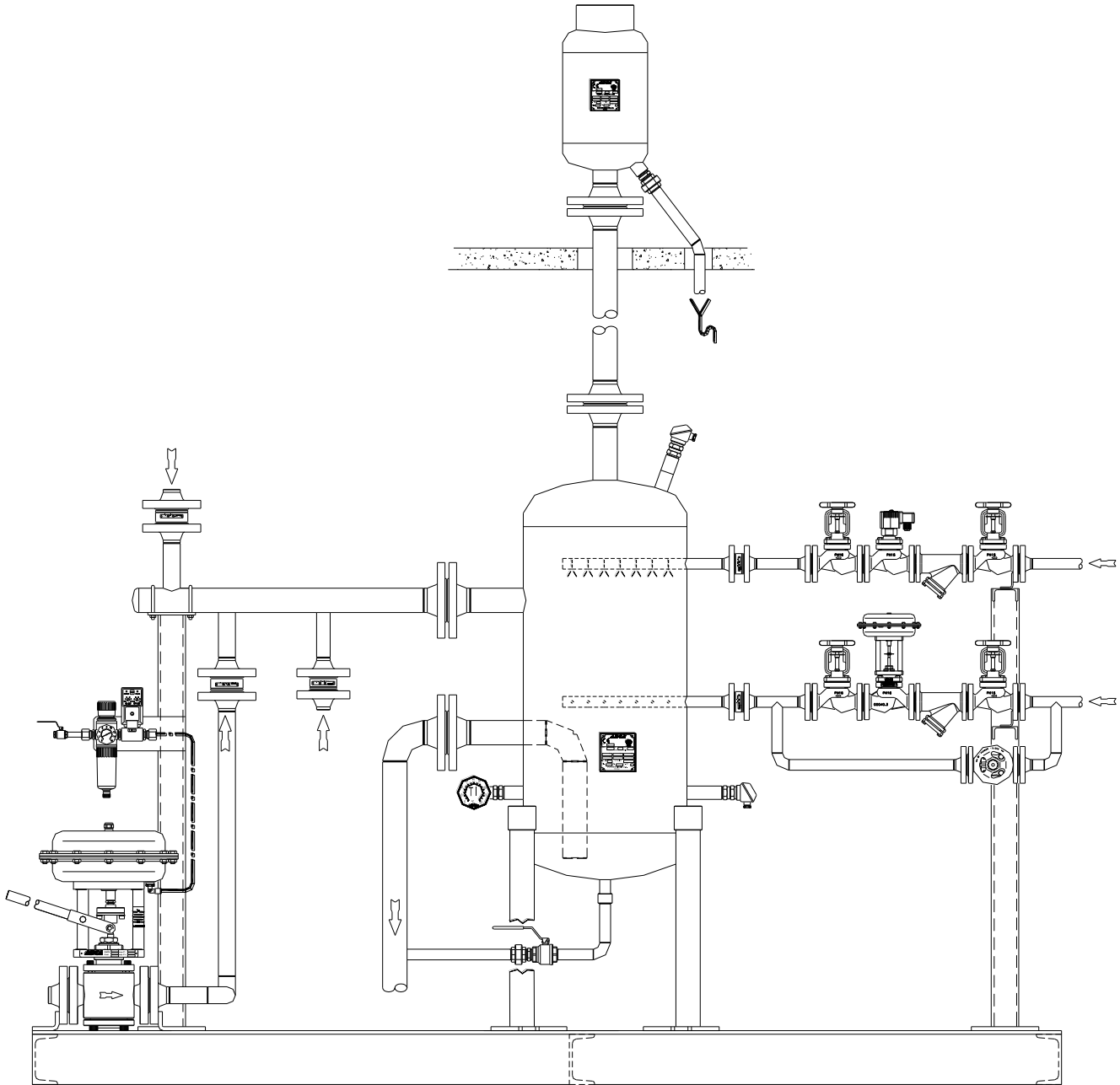
PS – Maximum allowable pressure	0,5 bar
TS – Maximum allowable temperature	120 °C
Minimum operating temperature	- 10 °C

Design code: AD-Merkblatt.

Other conditions and CE marking on request.



TYPICAL INSTALLATION



In case of order or inquiry, please refer the required item numbers (see assembly drawing ADBEX.01.2839).